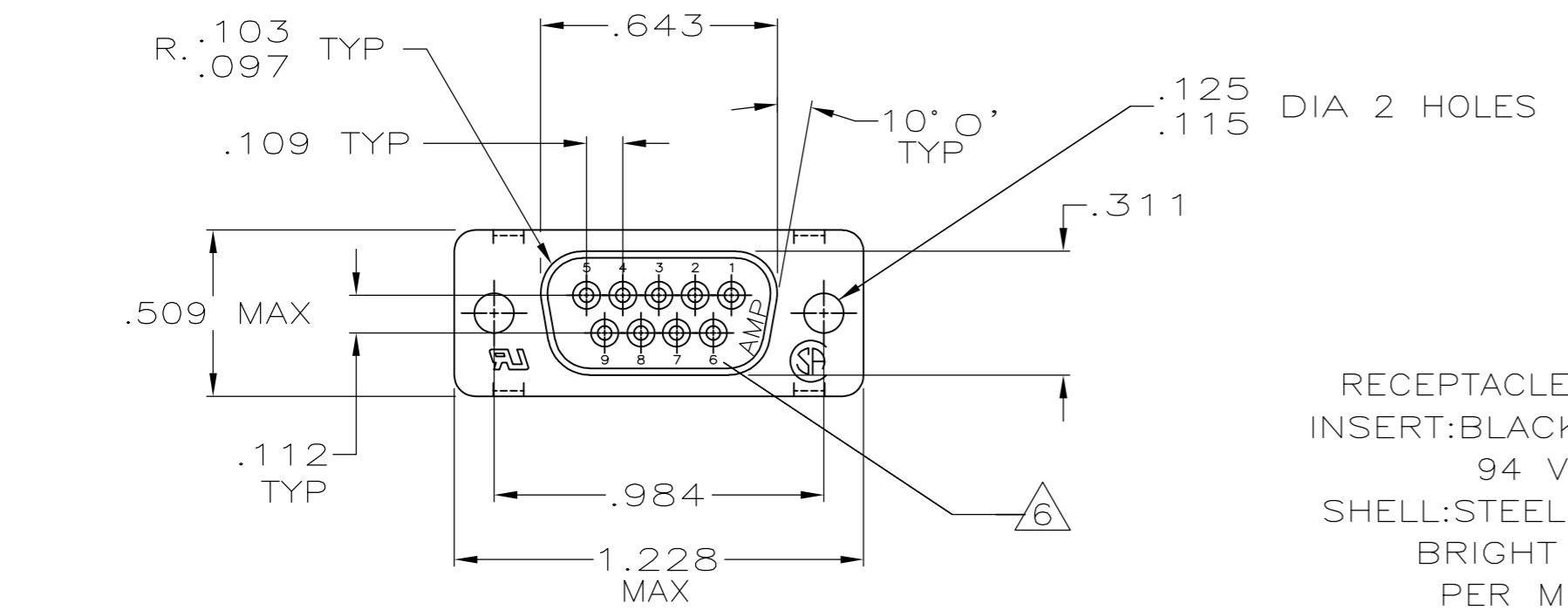
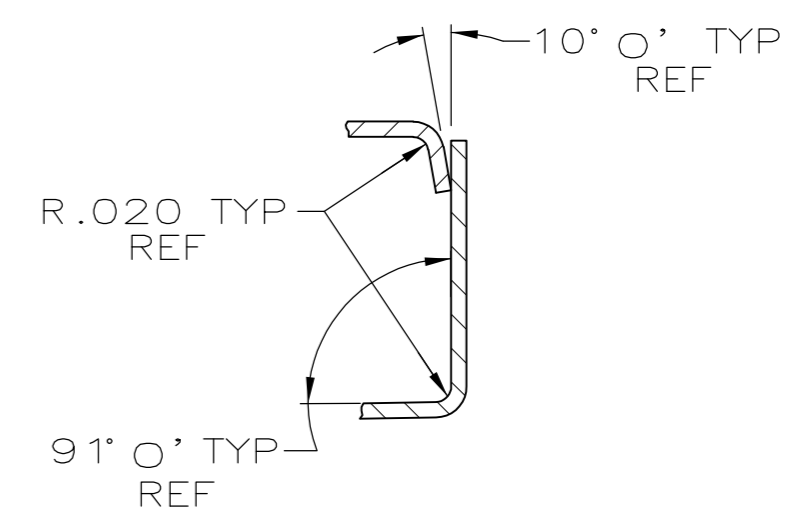


THIS DRAWING IS UNPUBLISHED. RELEASED FOR PUBLICATION
 © COPYRIGHT - By - ALL RIGHTS RESERVED.

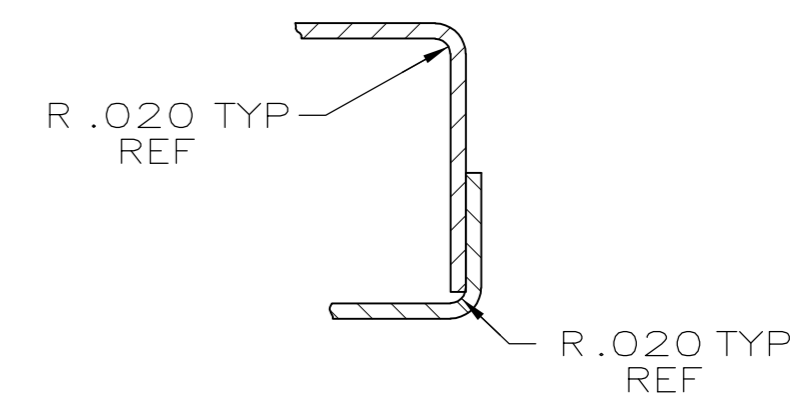
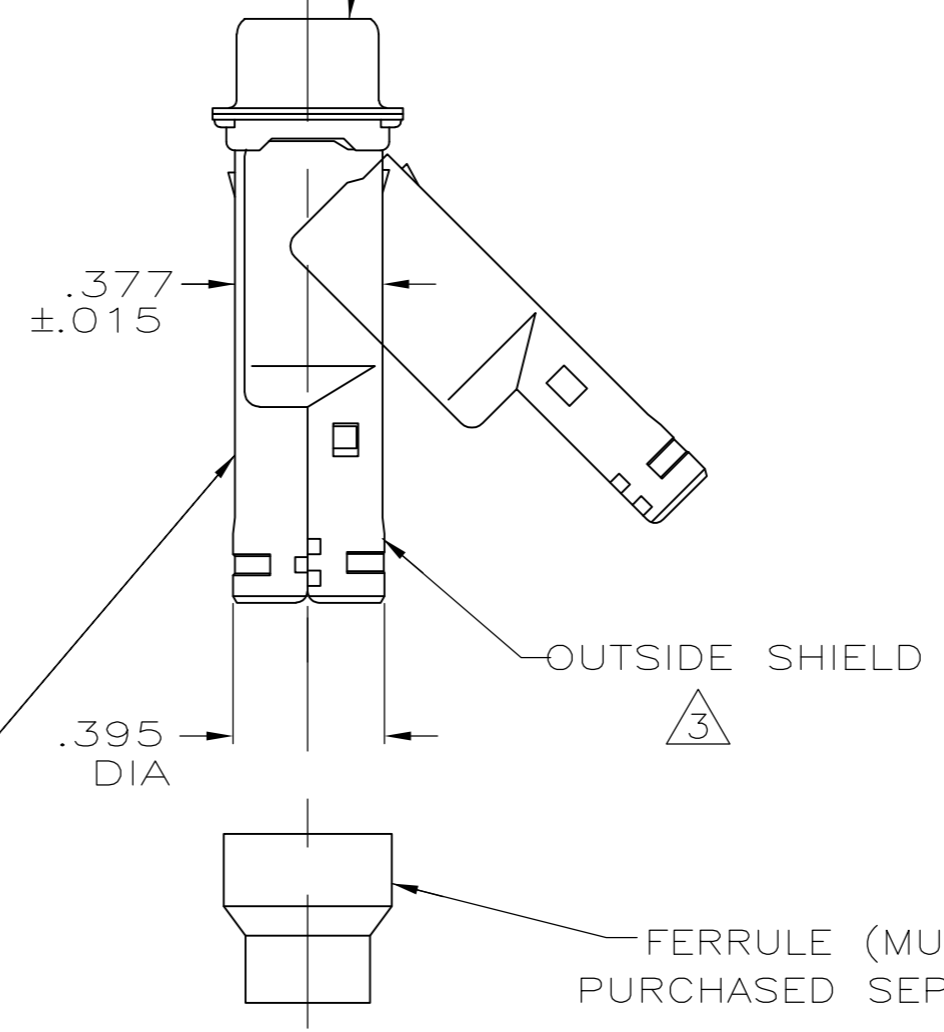
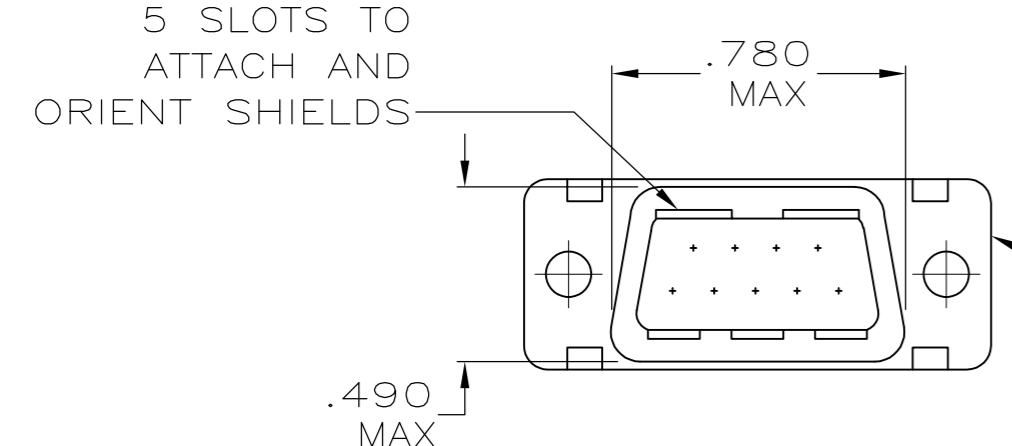
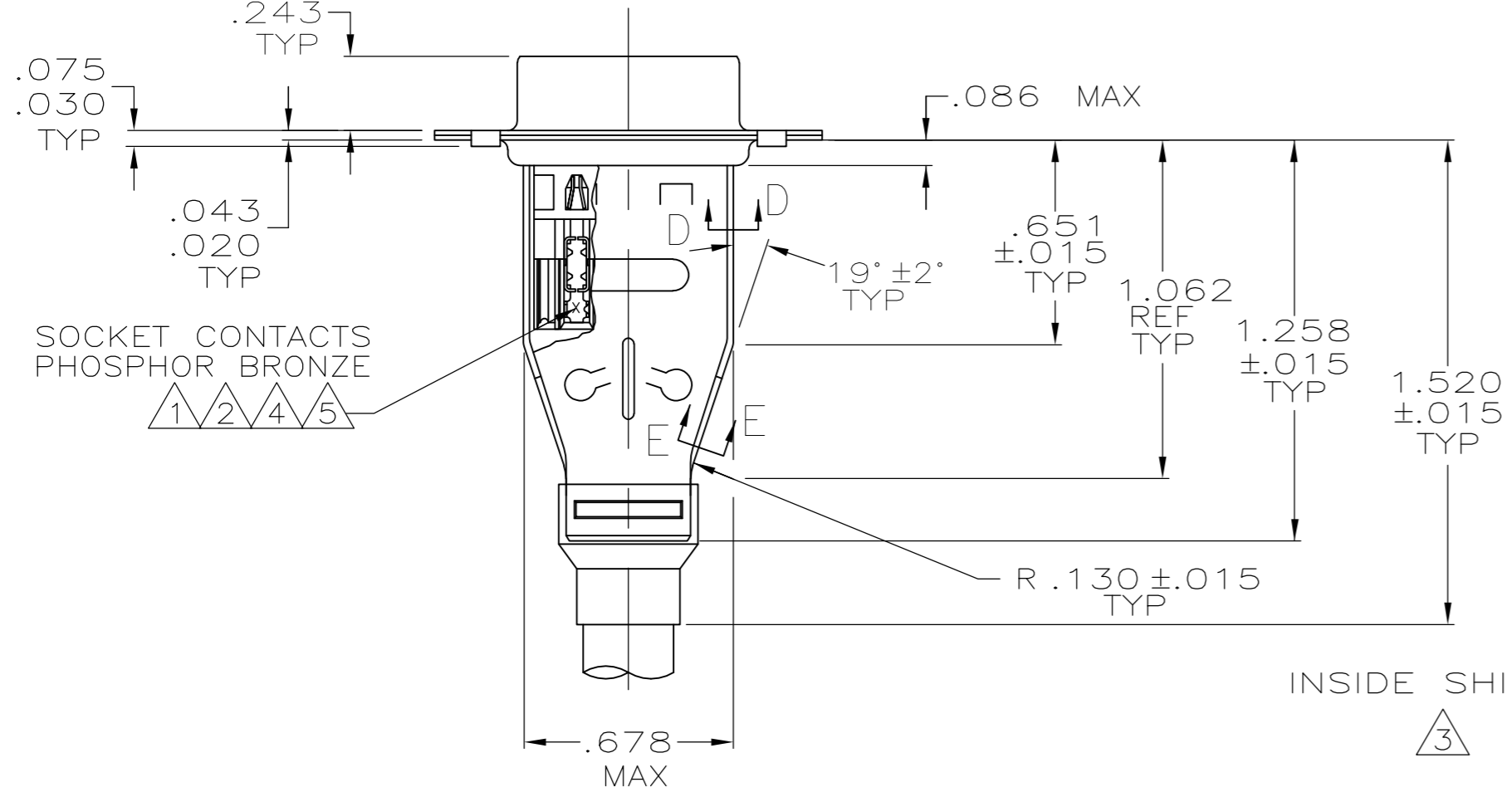
LOC		DIST		REVISIONS			
P	LTR	DESCRIPTION		DATE	DWN	APVD	
GP	00	G5	REVISED PER ECO-11-004835	11MAR11	RK	HMR	



RECEPTACLE CONNECTOR (1)
 INSERT: BLACK THERMOPLASTIC
 94 V-0 RATED
 SHELL: STEEL PER ASTM A109
 BRIGHT TIN PLATED
 PER MIL-T-10727



SECTION D-D



SECTION E-E

- 1 RECEPTACLE CONNECTOR FULLY LOADED WITH CONTACTS. ALL OTHER PARTS SHIPPED UNASSEMBLED (EACH PART INDIVIDUALLY BULK PACKED).
- 2 NUMBER ON CONTACT INDICATES WIRE RANGE.
- 3 SHIELDS: MATERIAL-.020 THICK STEEL, TIN PLATED.
- 4 CONTACTS PLATED .000030 GOLD ON MATING END FOR .100 MIN LENGTH. .000100-.000200 BRIGHT TIN OR BRIGHT TIN-LEAD IN WIRE TERMINATION AREA. .000050 NICKEL UNDERPLATE ON ENTIRE CONTACT.
- 5 CONTACTS PLATED WITH GOLD FLASH ON MATING END FOR .100 MIN LENGTH. .000100-.000200 BRIGHT TIN OR BRIGHT TIN-LEAD IN WIRE TERMINATION AREA. .000030 NICKEL UNDERPLATE ON ENTIRE CONTACT.
- 6 RAISED CAVITY IDENTIFICATION AND AMP TRADEMARK.
- 7 CONTACTS PLATED .000030 GOLD ON MATING END FOR .100 MIN LENGTH. .000100-.000200 MATTE TIN IN WIRE TERMINATION AREA. .000050 NICKEL UNDERPLATE ON ENTIRE CONTACT.
- 8 CONTACTS PLATED WITH GOLD FLASH ON MATING END FOR .100 MIN LENGTH. .000100-.000200 MATTE TIN IN WIRE TERMINATION AREA. .000030 MIN NICKEL UNDERPLATE ON ENTIRE CONTACT.
- 9 OBSOLETE PARTS: OBSOLETE CIS STREAMLINING PER D.RENAUD/D.SINISI

CONTACT FINISH	WIRE RANGE	PART NUMBER
8	#22-26	747516-9
9 OBSOLETE	#20-22	747516-8
7	#22-26	747516-7
OBSOLETE	#20-22	747516-6
SUPERSEDED	#22-26	747516-5
OBSOLETE	#26-30	747516-4
SUPERSEDED	#20-22	747516-3
SUPERSEDED	#22-26	747516-2
SUPERSEDED BY 747943-1	#26-30	747516-1

THIS DRAWING IS A CONTROLLED DOCUMENT.

DIMENSIONS: INCHES	TOLERANCES UNLESS OTHERWISE SPECIFIED:	DWN L. VARELA - DOCK5 11-16-04	
0 PLC ± -	1 PLC ± -	CHK J. GERACE 11-16-04	
MATERIAL	FINISH	APVD M. WALMSLEY 11-16-04	NAME
SEE CALL OUT	SEE CALL OUT	PRODUCT SPEC 108-40030	KIT, RCPT, SHIELDING HARDWARE, SIZE 1, 9 POSN, HDE-20, AMPLIMITE
		APPLICATION SPEC 114-40002	SIZE A2 CAGE CODE 00779 DRAWING NO C=747516
		WEIGHT -	RESTRICTED TO -
		CUSTOMER DRAWING	SCALE 2:1 SHEET 1 of 1 REV G5